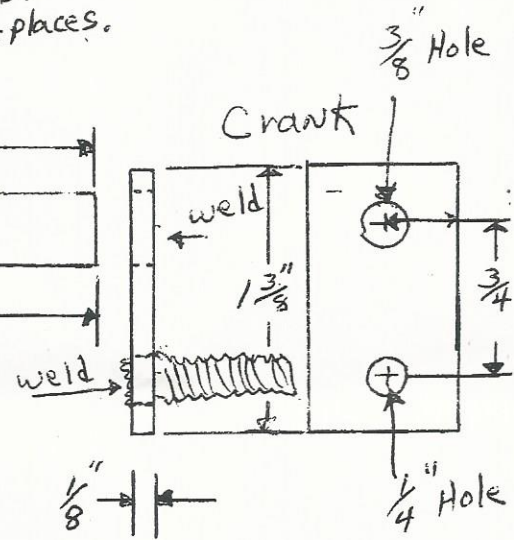
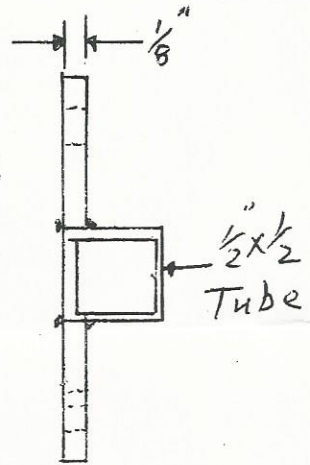
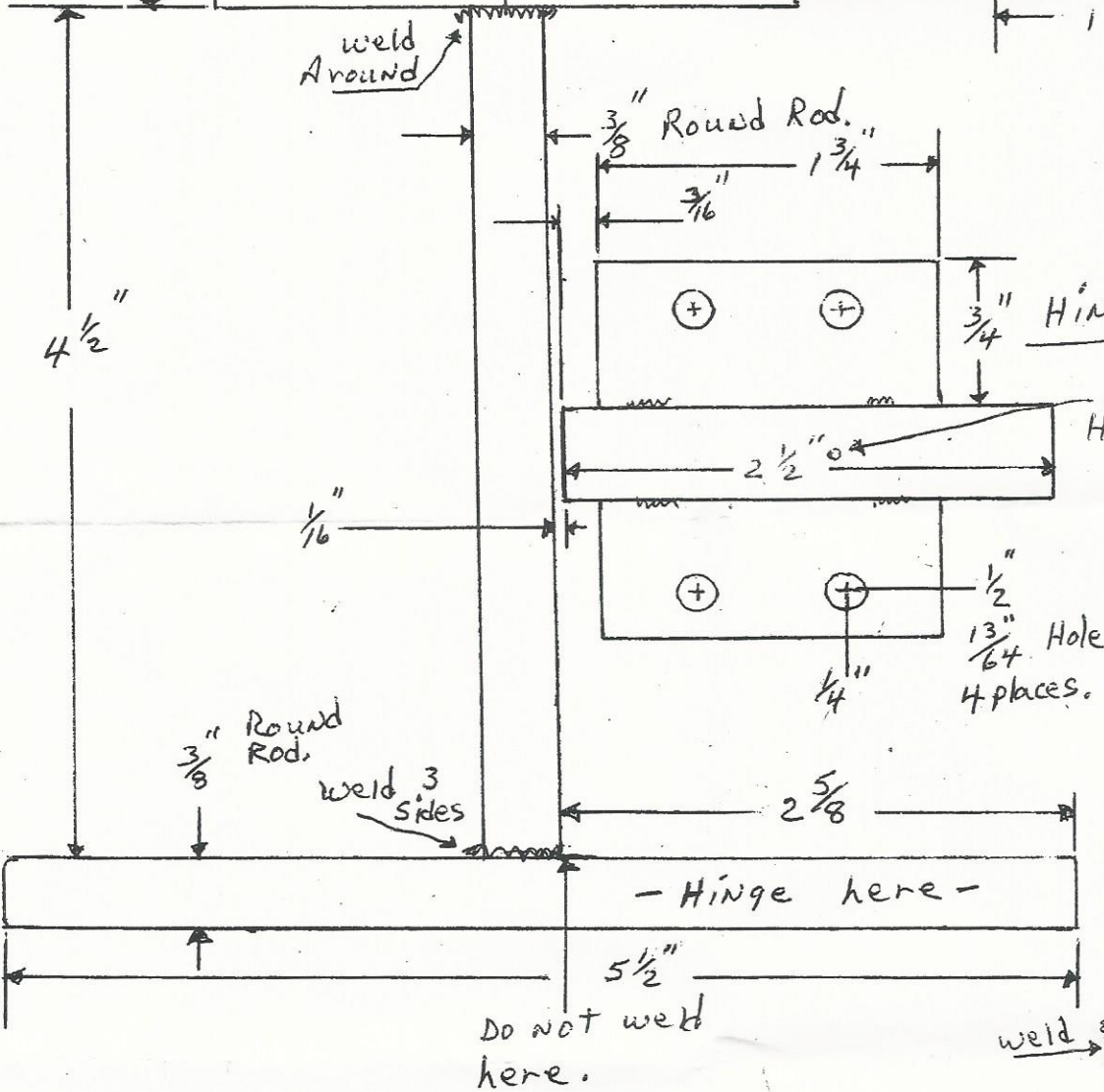
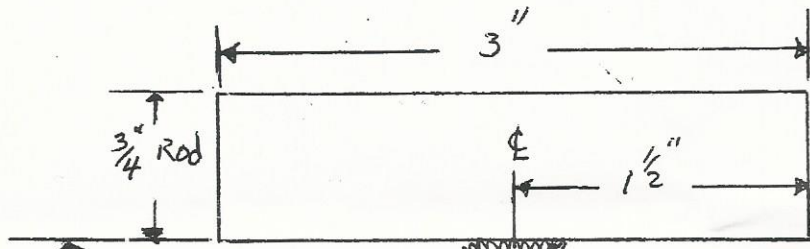
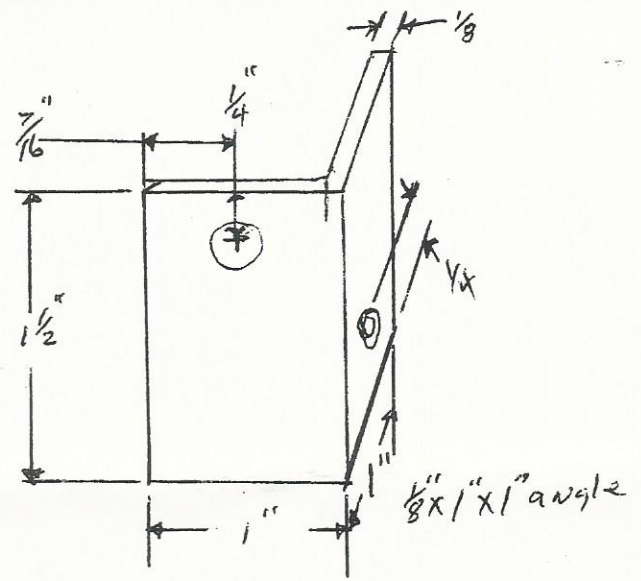


# Track Switch Control

Gene Lurwig  
2014



ON remote handle weld 3/8" ID washer on end of rod in place of the "crank".

